

DM9 Screen Microscope

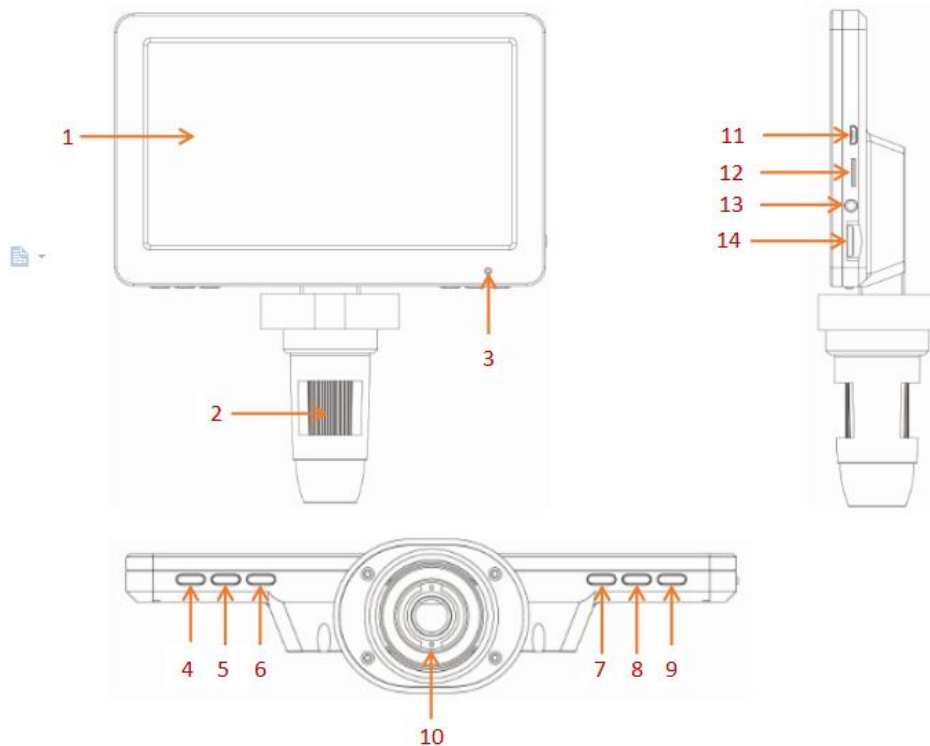
Quick Start Guide V0.1

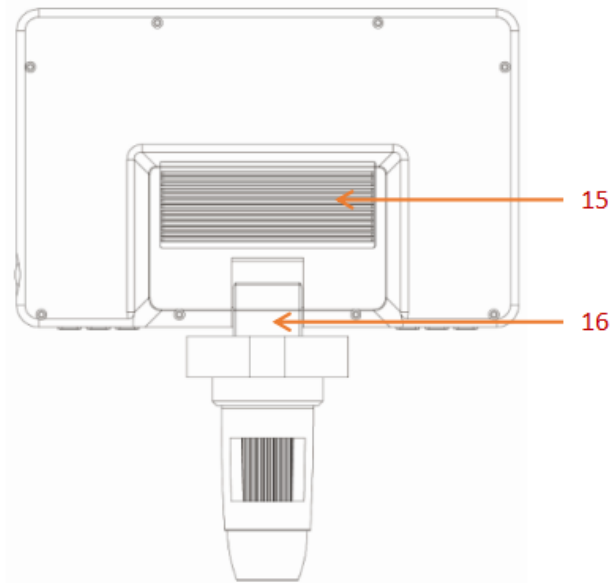
Product application: Electric board test, industrial test, textile products test, clock and mobile phone test, skin quality inspection, scalp inspection, anatomy experiment exam, printing inspection, teach and research tools, precision objects amplified to test, reading assistant, spare time interesting and love, etc.

Product characteristics: Complete functions, clear imaging, exquisite machining, large screen display, external cable control, easy operation, can be attached to the external LED filling light, able to self replace battery, can connect to computer and support more languages reach up 12 types, etc.

1. Components and functions:

Note: Use 18650 rechargeable battery, first install battery and replace battery Please use charger to activate the device!





The pictures are for informational purposes only, please take the physical information as the basis

1.1 Parts instruction

NO.	Function
1	7-inch display
2	Focus adjust rolling wheel
3	Indicator lamp hole
4	Up selection
5	Confirm
6	Down selection
7	Camera
8	Menu
9	Power button
10	LED full-in light
11	MICRO USB
12	TF slot
13	Key socket
14	Light supplement luminance adjustment
15	Back cover of battery warehouse
16	Active arm

1.2 Product specification and parameters

Product	Parameter
Product name	DM9
The max pixel of video	1080FHD
Lens optic size	1/4"
Image resolution ratio	12M, 10M, 8M, 5M, 3M
Video resolution ratio	1080FHD, 1080P, 720P
Video format	AVI
Focusing mode	Manual
Image format	JPG
Magnification	1200X
Digital zooming	Support
Illuminant	8 LED lights (brightness adjustable)
Focusing range	10~40mm(can watch distant view)
PC resolution ratio and image transmission speed	1280*720/30fps
White balance	Auto
Exposure	Auto
PC operating system	Windows xp,win7,win8.1,win10, Mac OS x 10.5 or
Support language	12 languages
Lens construction	2G+IR
Aperture	F4.5
Lens angle	16°
Interface and Signal Transmission Mode	Micro/usb1.1
Operating Temperature	-20°C ~ +60°C
Operating Humidity	30%~85%Rh
Operating current	700mA
Power dissipation	3.5W